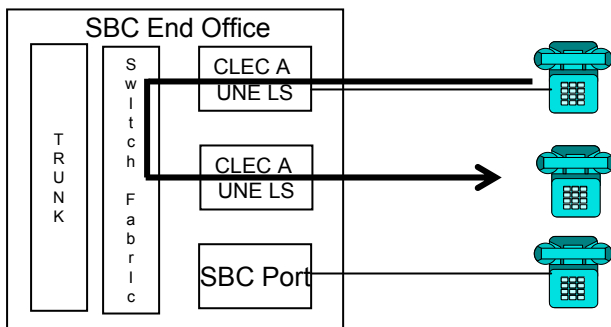


Local Call - Intraswitch
CLEC A Originating to CLEC A Terminating:



CLEC A does not bill SBC any charges

CLEC A is billed:

ULS-Originating
ULS-ST Daily Usage Feed

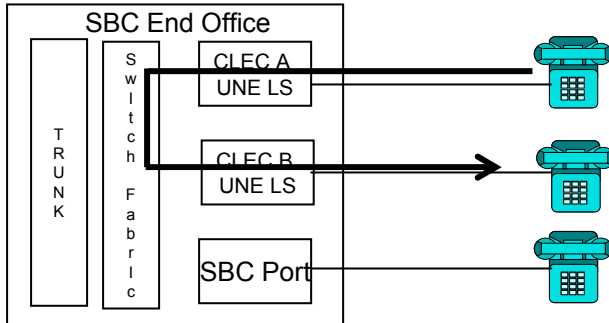
SBC sends CLEC A
CAT 10 Record

Notice

These illustrative call flow scenarios and the information contained in them are subject to change at any time without notice, including as a result of regulatory decisions, arbitration awards, and subsequent interconnection agreements. Also, to the extent that a CLEC's interconnection agreement is contrary to this information, the agreement shall control.

**Local Call - Intraswitch
CLEC A Originating to CLEC B Terminating**

UNE-P Call Scenario 2



Neither CLEC A nor CLEC B bills SBC any charges

CLEC A is billed:

- ULS-Originating
- ULS-ST Daily Usage Feed

SBC sends CLEC A:

- CAT 10 Record

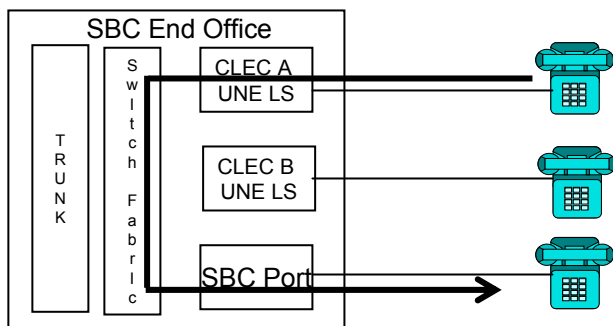
CLEC B is not billed any usage sensitive elements for an incoming call

Notice

These illustrative call flow scenarios and the information contained in them are subject to change at any time without notice, including as a result of regulatory decisions, arbitration awards, and subsequent interconnection agreements. Also, to the extent that a CLEC's interconnection agreement is contrary to this information, the agreement shall control.

Local Calls - Intraswitch
CLEC A Originating to SBC (or CLEC Resale) Terminating
SBC Network

UNE-P Call Scenario 3



CLEC A does not bill SBC any charges

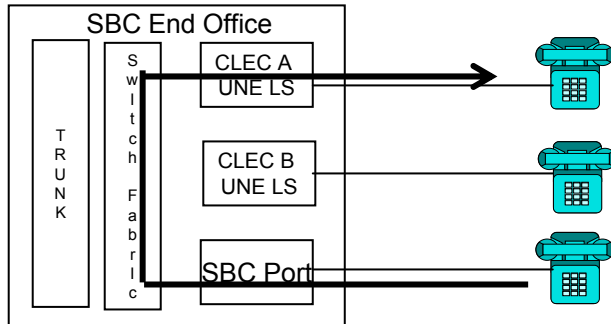
CLEC A is billed:
ULS-Originating
ULS-ST Daily Usage Feed

SBC sends CLEC A:
CAT 10 Record

Notice

These illustrative call flow scenarios and the information contained in them are subject to change at any time without notice, including as a result of regulatory decisions, arbitration awards, and subsequent interconnection agreements. Also, to the extent that a CLEC's interconnection agreement is contrary to this information, the agreement shall control.

**Local Call - Intraswitch
SBC (or CLEC Resale) Originating to CLEC A Terminating**



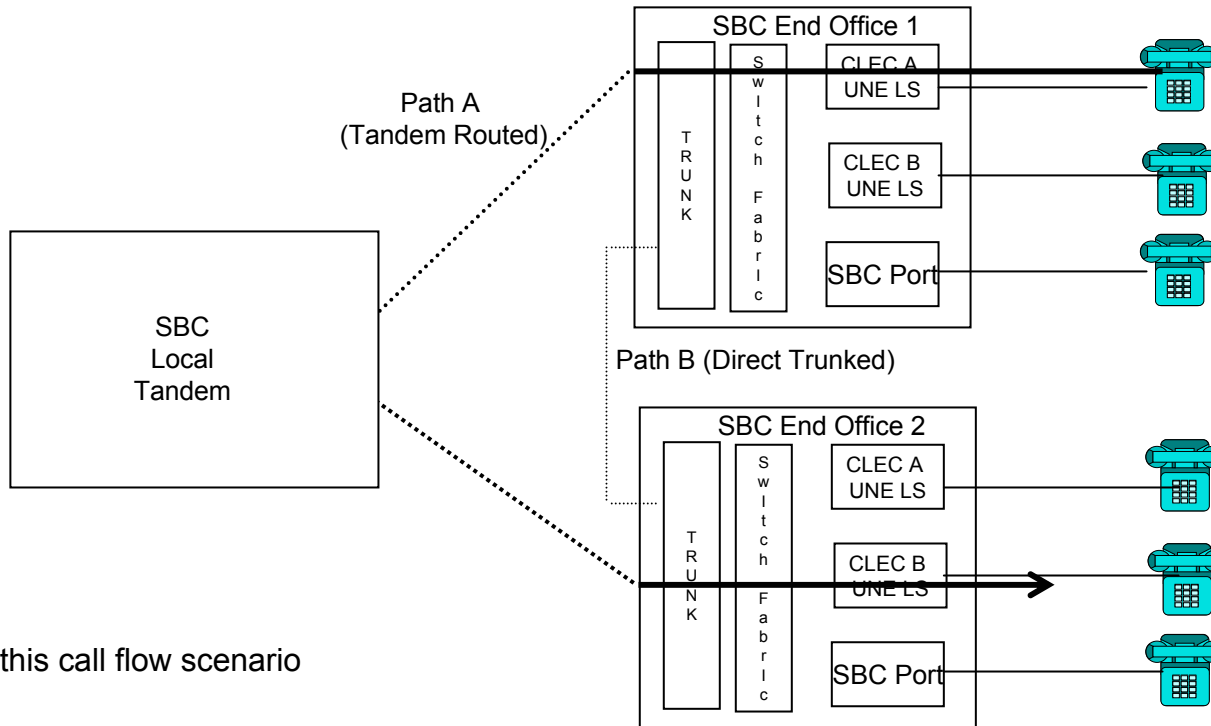
CLEC A and SBC do not bill any charges to each other

Notice

These illustrative call flow scenarios and the information contained in them are subject to change at any time without notice, including as a result of regulatory decisions, arbitration awards, and subsequent interconnection agreements. Also, to the extent that a CLEC's interconnection agreement is contrary to this information, the agreement shall control.

**Local Call - Interswitch
CLEC A Originating to CLEC B Terminating**

UNE-P Call Scenario 5



Note:
See *Note 1* for this call flow scenario

CLEC A is billed:

- ULS-Originating
- ULS-ST SS7 Signaling Transport – Per Call
- ULS-ST Blended Transport Usage
- ULS-ST Daily Usage Feed

SBC bills CLEC B

- ULS-Terminating
- ULS-ST Daily Usage Feed

SBC sends CLEC A:

CAT 10 record

SBC sends CLEC B:

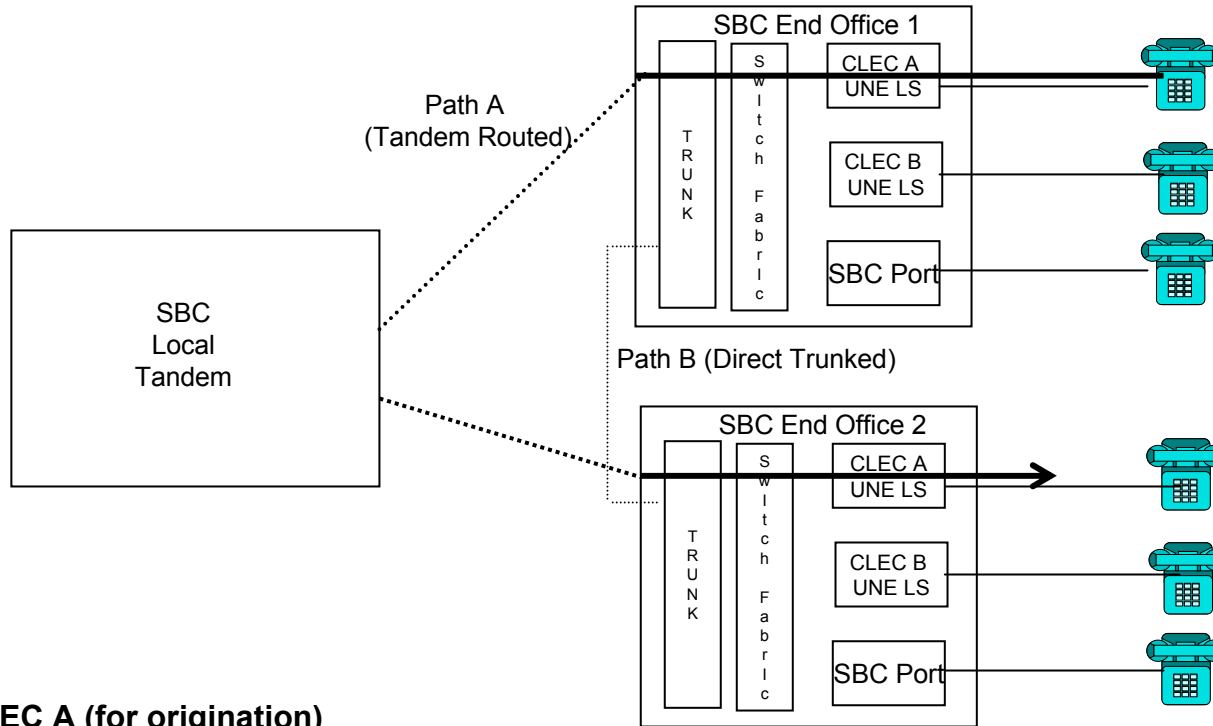
CAT 11 record

Neither CLEC A nor CLEC B charge SBC

Notice

These illustrative call flow scenarios and the information contained in them are subject to change at any time without notice, including as a result of regulatory decisions, arbitration awards, and subsequent interconnection agreements. Also, to the extent that a CLEC's interconnection agreement is contrary to this information, the agreement shall control.

**Local Call - Interswitch
CLEC A Originating to CLEC A Terminating**



SBC bills CLEC A (for origination)

- ULS-Originating
- ULS-ST SS7 Signaling Transport – Per Call
- ULS-ST Blended Transport Usage
- ULS-ST Daily Usage Feed

SBC bills CLEC A (for termination)

- ULS-Terminating
- ULS-ST Daily Usage Feed

**SBC sends CLEC A for originating
CAT 10 record**

**SBC sends CLEC A for termination
CAT 11 record**

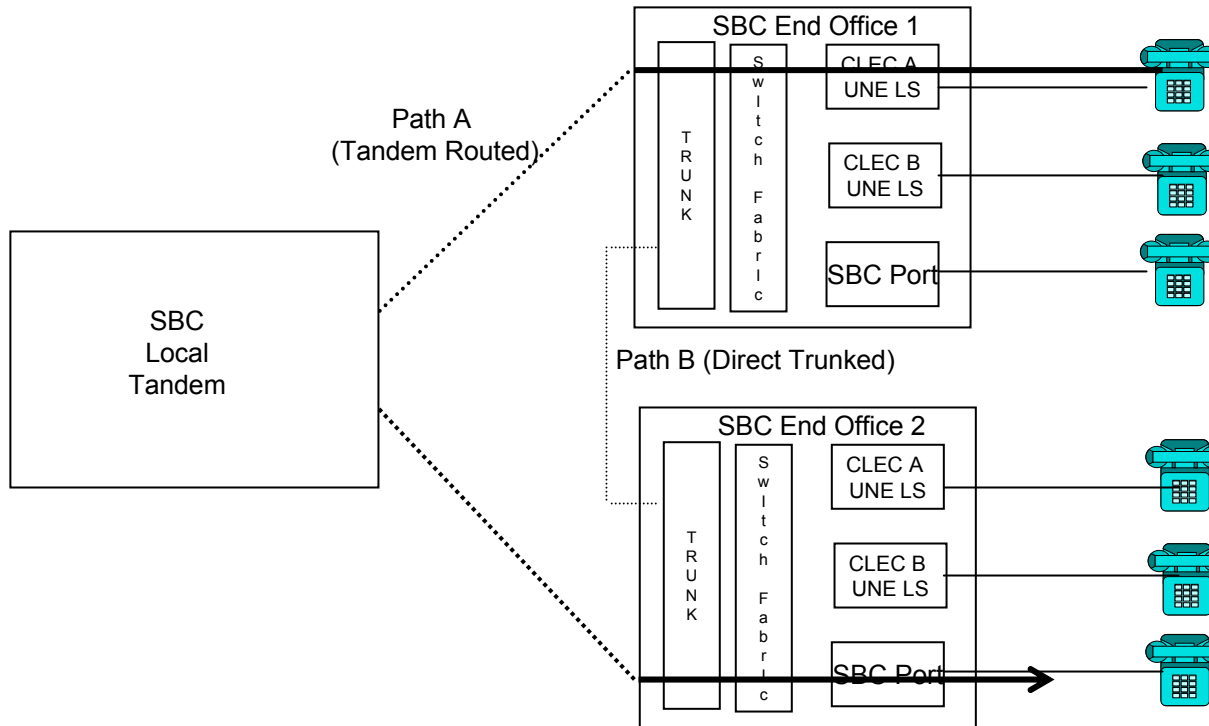
CLEC A does not charge SBC

Notice

These illustrative call flow scenarios and the information contained in them are subject to change at any time without notice, including as a result of regulatory decisions, arbitration awards, and subsequent interconnection agreements. Also, to the extent that a CLEC's interconnection agreement is contrary to this information, the agreement shall control.

**Local Call - Interswitch
CLEC A Originating to SBC (or CLEC Resale) Terminating**

UNE-P Call Scenario 7



SBC bills CLEC A

- ULS-Originating
- ULS-ST SS7 Signaling Transport – Per Call
- ULS-ST Blended Transport Usage
- ULS-ST Recip Comp
- ULS-ST Daily Usage Feed

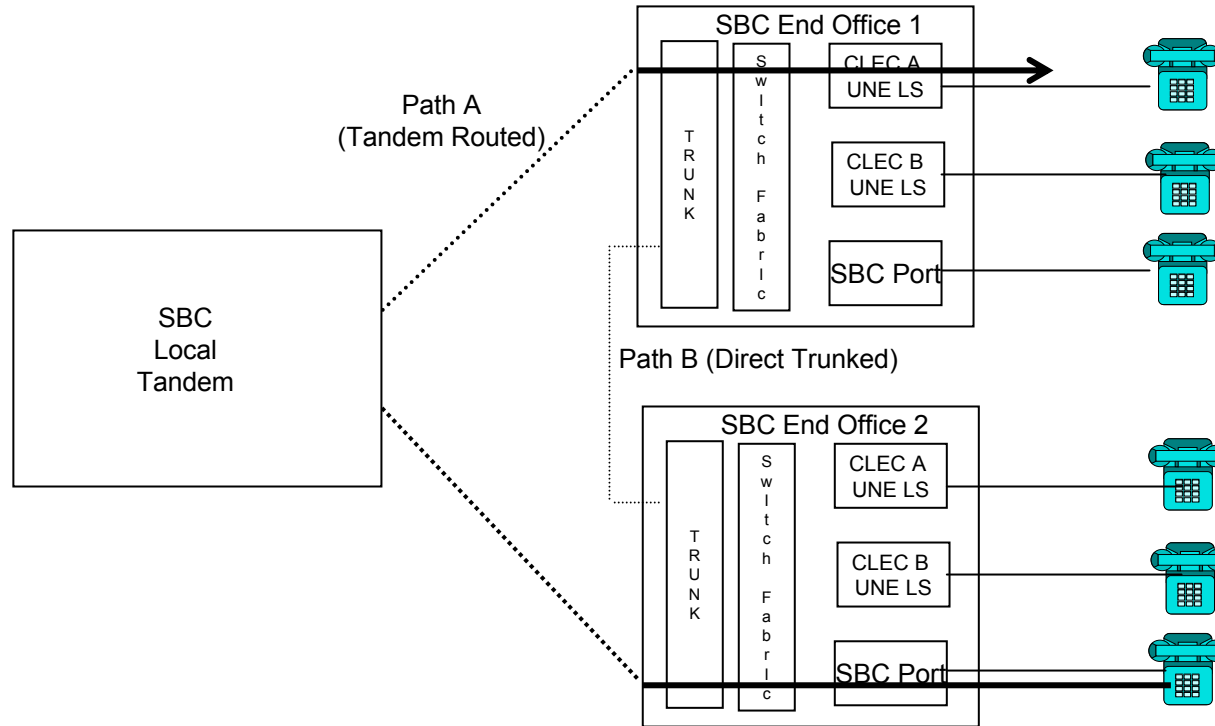
**SBC sends CLEC A
CAT 10 Record**

CLEC A does not bill SBC

Notice

These illustrative call flow scenarios and the information contained in them are subject to change at any time without notice, including as a result of regulatory decisions, arbitration awards, and subsequent interconnection agreements. Also, to the extent that a CLEC's interconnection agreement is contrary to this information, the agreement shall control.

**Local Calls - Interswitch
SBC (or CLEC Resale) Originating to UNE-P CLEC Terminating**



SBC bills CLEC A
 ULS-Terminating¹
 ULS-ST Daily Usage Feed¹

CLEC A may bill SBC
 ULS-ST Recip Comp

SBC sends CLEC A
 CAT 11 Record

Notice

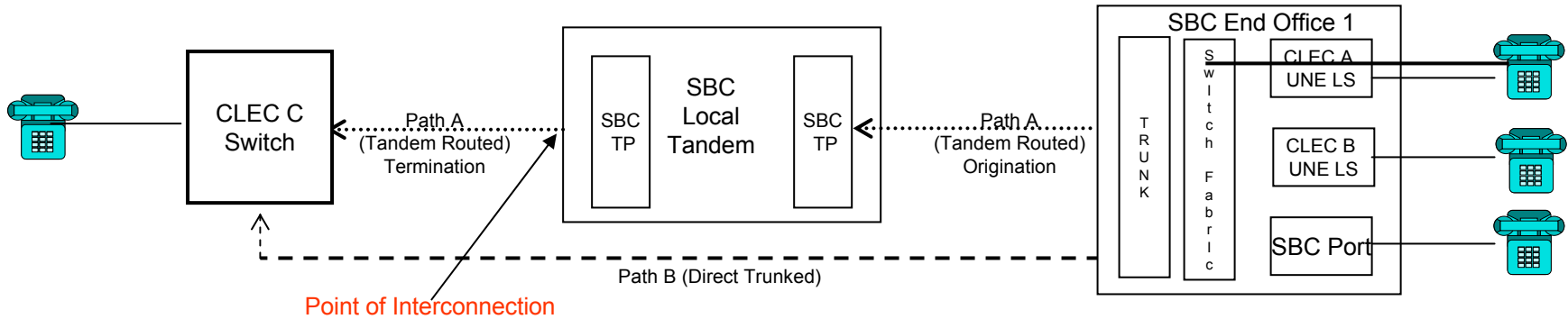
These illustrative call flow scenarios and the information contained in them are subject to change at any time without notice, including as a result of regulatory decisions, arbitration awards, and subsequent interconnection agreements. Also, to the extent that a CLEC's interconnection agreement is contrary to this information, the agreement shall control.

Call flows for ULS-ST
 Based on 13-State Generic ICA

Local Call - Interswitch

CLEC A Originating to **[non-SBC FBN]** CLEC C Terminating (SBC network)

UNE-P Call Scenario 9



SBC may bill Path A (Tandem Routed) or Path B (Direct Trunked) rate elements dependent upon call path (but not both for a single call)

SBC bills CLEC A (Path A (Tandem Routed))

ULS-Originating
ULS-ST SS7 Signaling Transport – Per Call
ULS-ST Blended Transport
ULS-ST Daily Usage Feed

SBC bills CLEC A (Path B (Direct Trunked))

ULS-Originating
ULS-ST SS7 Signaling Transport – Per Call
ULS-ST Daily Usage Feed

SBC sends CLEC A

CAT 10 record

Neither CLEC A nor CLEC C bills SBC

CLEC C may bill CLEC A

See *Note 1* for this call flow scenario

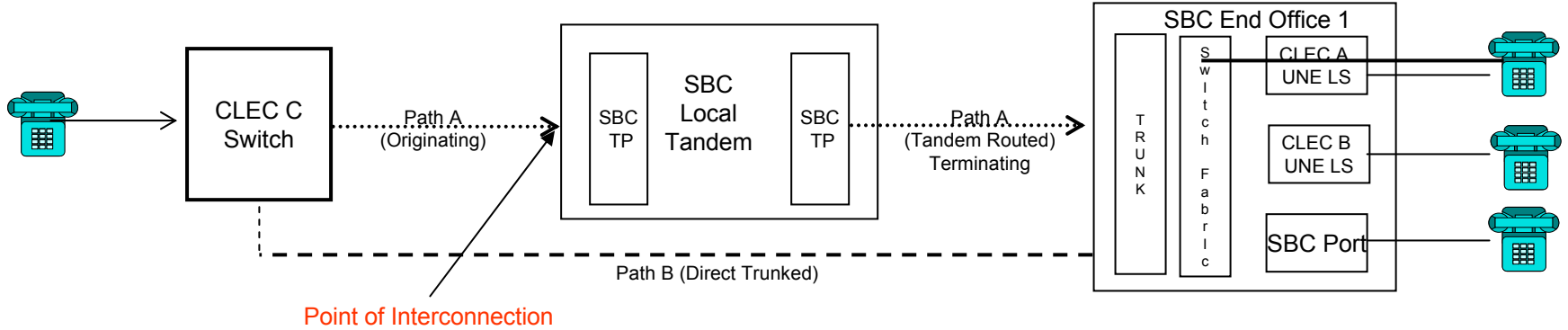
Notice

These illustrative call flow scenarios and the information contained in them are subject to change at any time without notice, including as a result of regulatory decisions, arbitration awards, and subsequent interconnection agreements. Also, to the extent that a CLEC's interconnection agreement is contrary to this information, the agreement shall control.

Local Call - Interswitch

CLEC C [non-SBC FBN] Originating to CLEC A (SBC network)

UNE-P Call Scenario 10



SBC bills CLEC A

ULS – Terminating
ULS-ST Daily Usage Feed

SBC sends CLEC A

CAT 11 Record

CLEC A may bill CLEC C

See *Note 1* for this call flow scenario

Call flows for ULS-ST

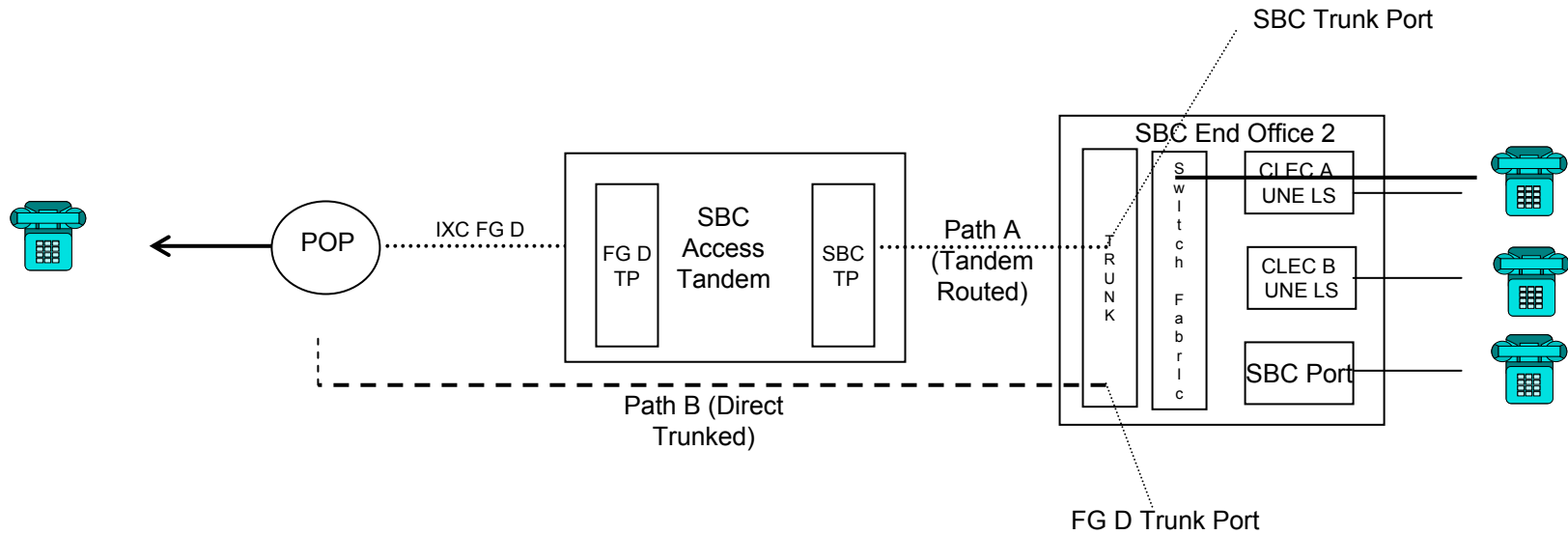
Based on 13-State Generic ICA

Notice

These illustrative call flow scenarios and the information contained in them are subject to change at any time without notice, including as a result of regulatory decisions, arbitration awards, and subsequent interconnection agreements. Also, to the extent that a CLEC's interconnection agreement is contrary to this information, the agreement shall control.

**Toll Call - IntraLATA or InterLATA
CLEC A Originating to End User's preferred IXC**

UNE-P Call Scenario 11



SBC may bill Path A (Tandem Routed) or Path B (Direct Trunked) rate elements dependent upon call path (but not both for a single call)

SBC bills CLEC A (Path A (Tandem Routed))

- ULS-Originating
- ULS-ST SS7 Signaling Transport – Per Call
- ULS-ST Common Transport
- ULS-ST Tandem Switching
- ULS-ST Daily Usage Feed

SBC bills CLEC A (Path B (Direct Trunked))

- ULS-Originating
- ULS-ST SS7 Signaling Transport – Per Call
- ULS-ST Daily Usage Feed

IXC Call:

SBC sends originating

CLEC:

CAT 11 record

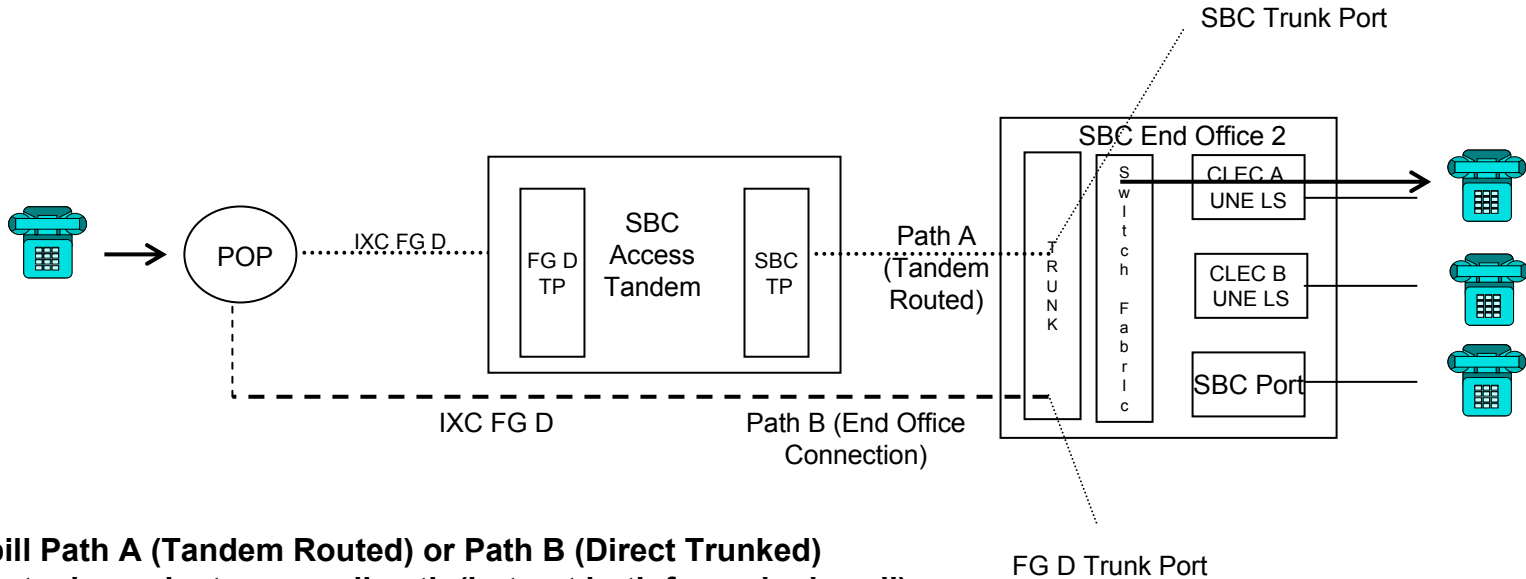
CLEC A may bill IXC

See *Note 1* for this call flow scenario

Notice

These illustrative call flow scenarios and the information contained in them are subject to change at any time without notice, including as a result of regulatory decisions, arbitration awards, and subsequent interconnection agreements. Also, to the extent that a CLEC's interconnection agreement is contrary to this information, the agreement shall control.

**Toll Call - IntraLATA or InterLATA
IXC Originating to CLEC A Terminating Using IXC's FG-D**



SBC may bill Path A (Tandem Routed) or Path B (Direct Trunked) rate elements dependent upon call path (but not both for a single call)

SBC bills CLEC A (Path A (Tandem Routed))

- ULS – Terminating
- ULS-ST Common Transport
- ULS-ST Tandem Switching
- ULS-ST Daily Usage Feed

SBC bills CLEC A (Path B (Direct Trunked))

- ULS – Terminating
- ULS-ST Daily Usage Feed

SBC sends CLEC A

CAT 11 record

CLEC A does not bill SBC any charges

CLEC A may bill IXC

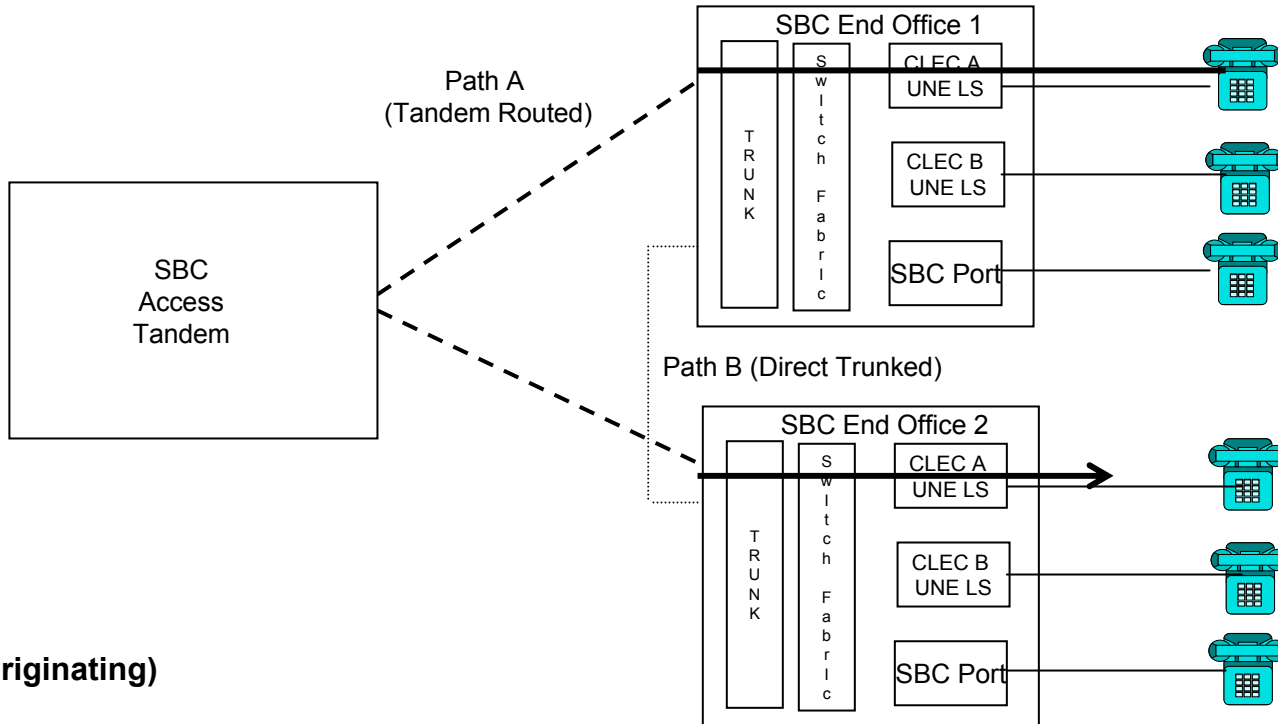
See *Note 1* for this call flow scenario

Notice

These illustrative call flow scenarios and the information contained in them are subject to change at any time without notice, including as a result of regulatory decisions, arbitration awards, and subsequent interconnection agreements. Also, to the extent that a CLEC's interconnection agreement is contrary to this information, the agreement shall control.

**IntraLATA Toll Call - Over SBC IntraLATA Interexchange Facilities Only
CLEC A to CLEC A Terminating**

UNE-P Call Scenario 13



SBC bills CLEC A (originating)

- ULS-Originating
- ULS-ST SS7 Signaling Transport – Per Call
- ULS-ST Blended Transport Usage
- ULS-ST Daily Usage Feed

SBC bills CLEC A (terminating)

- ULS-Terminating
- ULS-ST Daily Usage Feed

SBC sends CLEC A (originating)

CAT 10 record

SBC sends CLEC A (terminating)

CAT 11 record

CLEC A does not bill SBC any charges

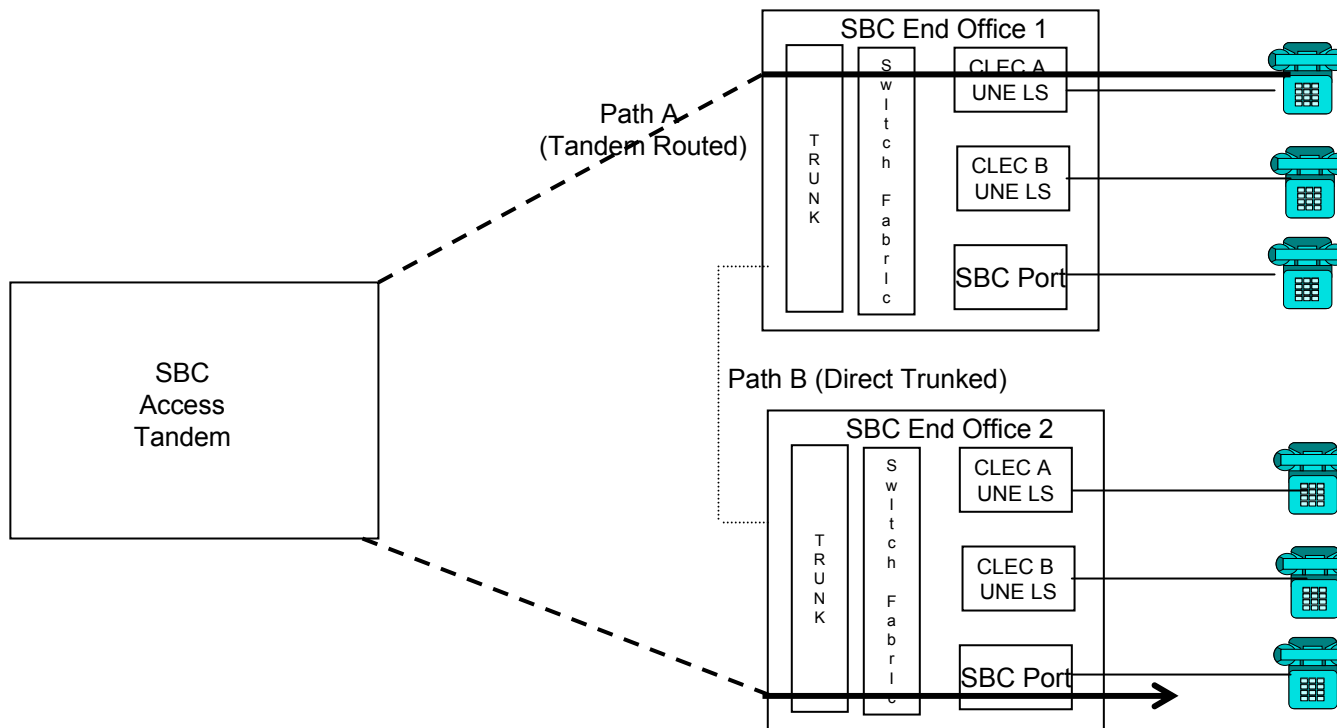
Call flows for ULS-ST
Based on 13-State Generic ICA

Notice

These illustrative call flow scenarios and the information contained in them are subject to change at any time without notice, including as a result of regulatory decisions, arbitration awards, and subsequent interconnection agreements. Also, to the extent that a CLEC's interconnection agreement is contrary to this information, the agreement shall control.

**IntraLATA Toll Call - Over SBC IntraLATA Interexchange Facilities Only
CLEC A Originating to SBC(s/a CLEC Resale) Terminating**

UNE-P Call Scenario 14



SBC bills CLEC A

- ULS-Originating
- ULS-ST SS7 Signaling Transport – Per Call
- ULS-ST Blended Transport Usage
- ULS-ST Daily Usage Feed

**SBC sends CLEC A
CAT 10 record**

Terminating Switched Access

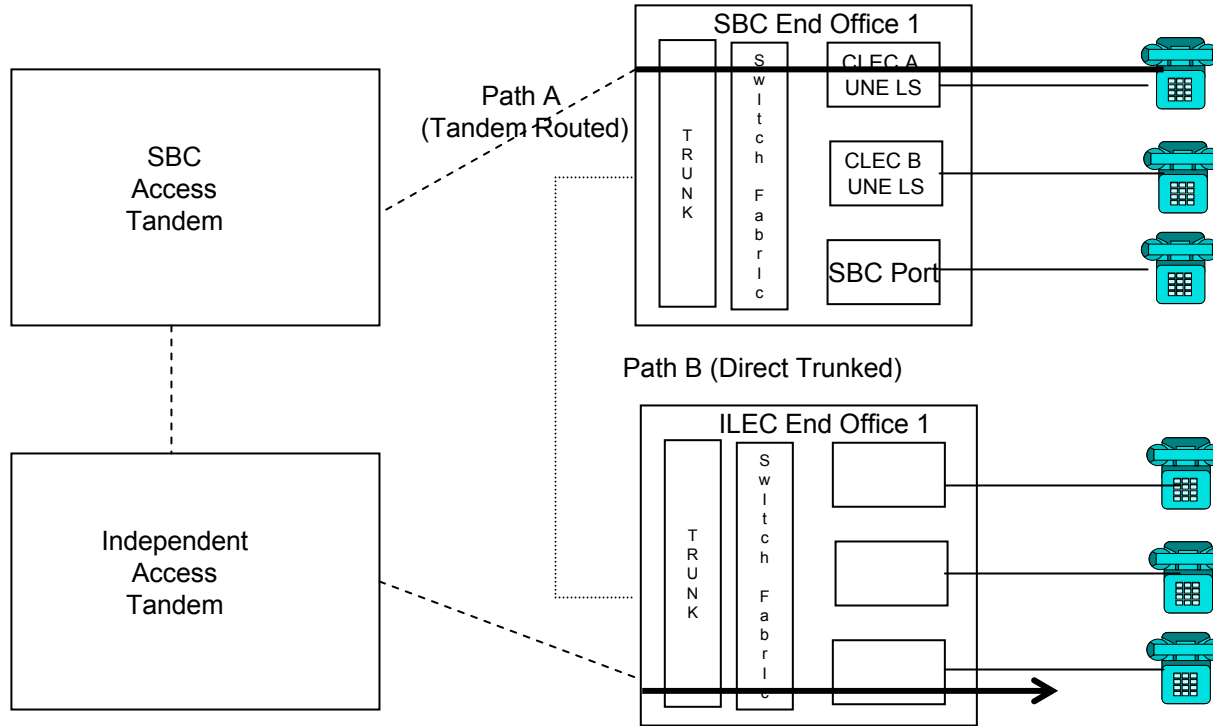
Notice

These illustrative call flow scenarios and the information contained in them are subject to change at any time without notice, including as a result of regulatory decisions, arbitration awards, and subsequent interconnection agreements. Also, to the extent that a CLEC's interconnection agreement is contrary to this information, the agreement shall control.

Call flows for ULS-ST
Based on 13-State Generic ICA

IntraLATA Toll Call - Over SBC IntraLATA Interexchange Facilities Only
CLEC A Originating to ILEC

UNE-P Call Scenario 15



SBC bills CLEC A

- ULS-Originating
- ULS-ST SS7 Signaling Transport – Per Call
- ULS-ST Blended Transport Usage
- ULS-ST Daily Usage Feed

SBC sends CLEC A

CAT 10 Record

SBC sends ILEC

CAT 11 Record

Independent may bill CLEC A

See *Note 1* for this call flow scenario

CLEC A does not bill SBC; SBC will pass on any ILEC charges to CLEC A

06/01/2004

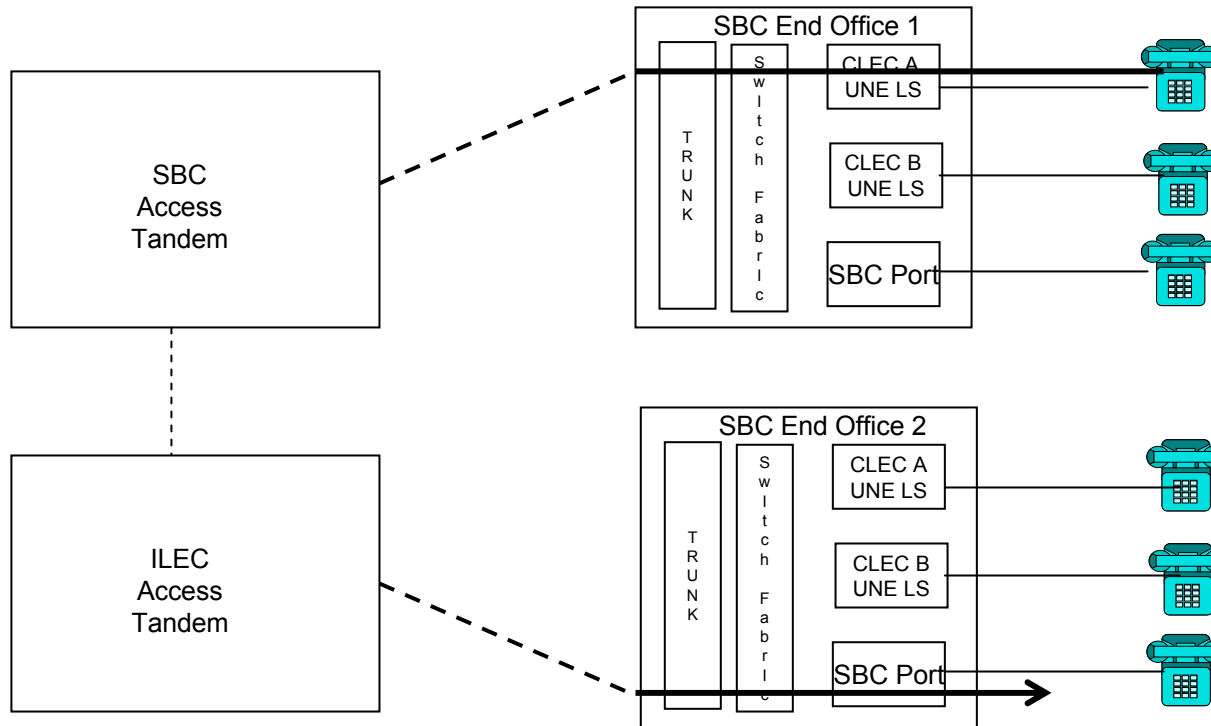
Notice

These illustrative call flow scenarios and the information contained in them are subject to change at any time without notice, including as a result of regulatory decisions, arbitration awards, and subsequent interconnection agreements. Also, to the extent that a CLEC's interconnection agreement is contrary to this information, the agreement shall control.

Call flows for ULS-ST
 Based on 13-State Generic ICA

Interswitch Toll Call - Over SBC IntraLATA Interexchange Facilities Only
CLEC A Originating to tandem to I-Tandem to SBC Terminating

UNE-P Call Scenario 16



SBC bills CLEC A

- ULS-Originating
- ULS-ST SS7 Signaling Transport – Per Call
- ULS-ST Blended Transport Usage
- ULS-ST Daily Usage Feed

Terminating Switched Access

SBC sends CLEC A

CAT 10 Record

CLEC A does not bill SBC; SBC will pass on any ILEC charges to CLEC A

Call flows for ULS-ST

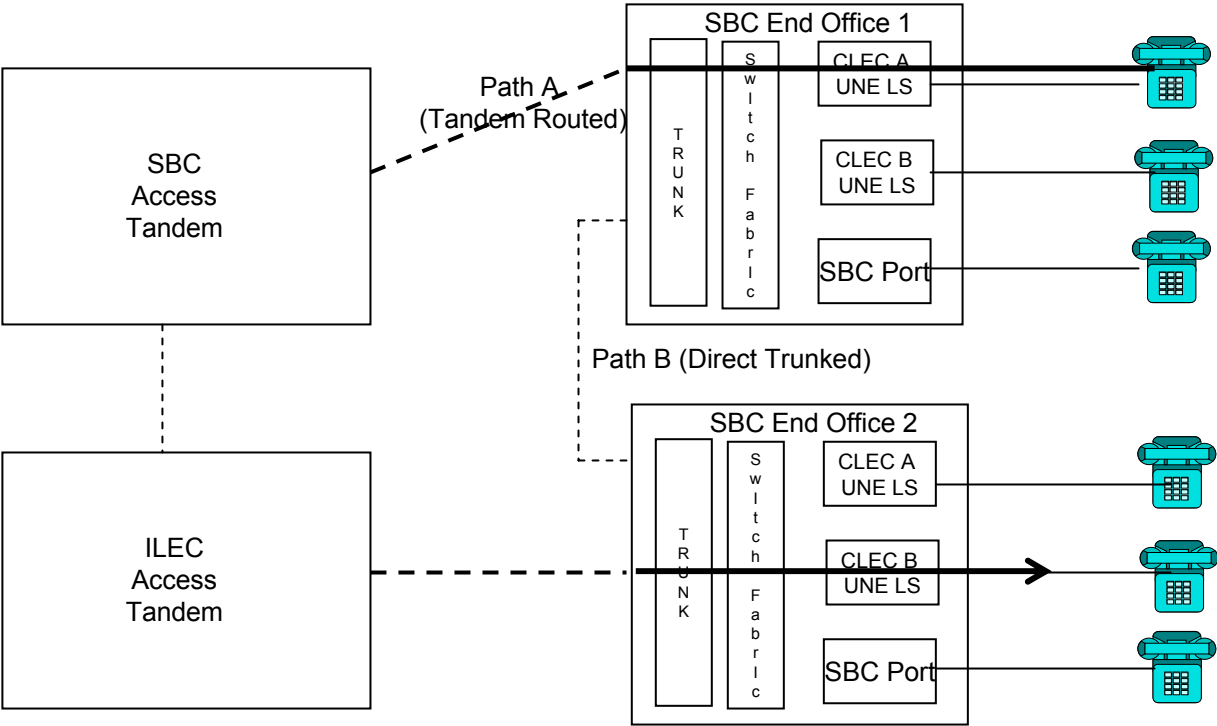
Based on 13-State Generic ICA

Notice

These illustrative call flow scenarios and the information contained in them are subject to change at any time without notice, including as a result of regulatory decisions, arbitration awards, and subsequent interconnection agreements. Also, to the extent that a CLEC's interconnection agreement is contrary to this information, the agreement shall control.

Interswitch Toll Call - Over SBC IntraLATA Interexchange Facilities Only
CLEC A Originating to CLEC B Terminating via two tandems

UNE-P Call Scenario 17



SBC bills CLEC A

- ULS-Originating
- ULS-ST SS7 Signaling Transport – Per Call
- ULS-ST Blended Transport Usage
- ULS-ST Daily Usage Feed

SBC bills CLEC B

- ULS Terminating
- ULS-ST Daily Usage Feed

SBC sends CLEC A

CAT 10 record

SBC sends CLEC B

CAT 11 record

CLEC A may bill CLEC B

See Note 1 for this call flow scenario

06/01/2004

Notice

These illustrative call flow scenarios and the information contained in them are subject to change at any time without notice, including as a result of regulatory decisions, arbitration awards, and subsequent interconnection agreements. Also, to the extent that a CLEC's interconnection agreement is contrary to this information, the agreement shall control.

Call flows for ULS-ST
 Based on 13-State Generic ICA

Notes:

These scenarios constitute the general billing/charging associated with unbundled switching with shared transport. Except as otherwise noted (e.g., “per call”) rates are applied on an MOU basis.

- ¹ Any intercarrier compensation for the origination/termination of traffic is solely the responsibility of the CLECs, IXCs, and/or third party ILECs; SBC is not responsible for establishing traffic or any other compensation arrangements between other carriers.

CONFIDENTIAL

This information is the property of SBC Communications and/or its affiliates ("SBC"), is confidential and proprietary, and is intended solely for the use of the individual or entity to whom SBC addressed or provided this information. Any other use, retention, dissemination, forwarding, printing, copying or other distribution of this information without written authorization from SBC is strictly prohibited.